

Carbide Cutter CNC Cutting Tools Mgm500-M Parting Inserts Grooving Insert

Our Product Introduction

for more products please visit us on cutter-milling.com

Basic Information

- Place of Origin: China
- Brand Name: KM
- Model Number: MGGN
- Minimum Order Quantity: 50
- Price: US \$2.00-30.00 / Piece
- Packaging Details: 1pc in a plastic tube and all in carton box
- Delivery Time: 7-14 work days
- Payment Terms: T/T, MoneyGram
- Supply Ability: 10000pcs/month

MGMN500-M

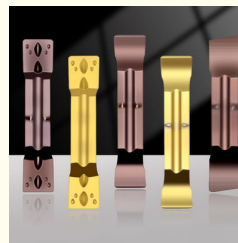


Product Specification

- Type: Lathe Turning Tool
- Machining Category: Finishing, Semi-Finishing, Roughing
- Stock Status: In Stock
- Package: 10PCS In One Box
- Workpiece: Steel, Cast Iron, Stainless Steel
- Coating Color: Golden, Yellow, Grey, Black
- Size Customized: Acceptable
- Advantage: Stable And Long Tool Life
- Highlight: Grooving CNC Cutting Tools, Carbide CNC Cutting Tools, Mgm500-M



More Images



Product Description

Product Description

Tungsten Carbide Insert

Cemented carbide blade is made of cemented carbide, cemented carbide is a kind of alloy material made by the hard compound of refractory metal and bonding metal through the powder metallurgy process.

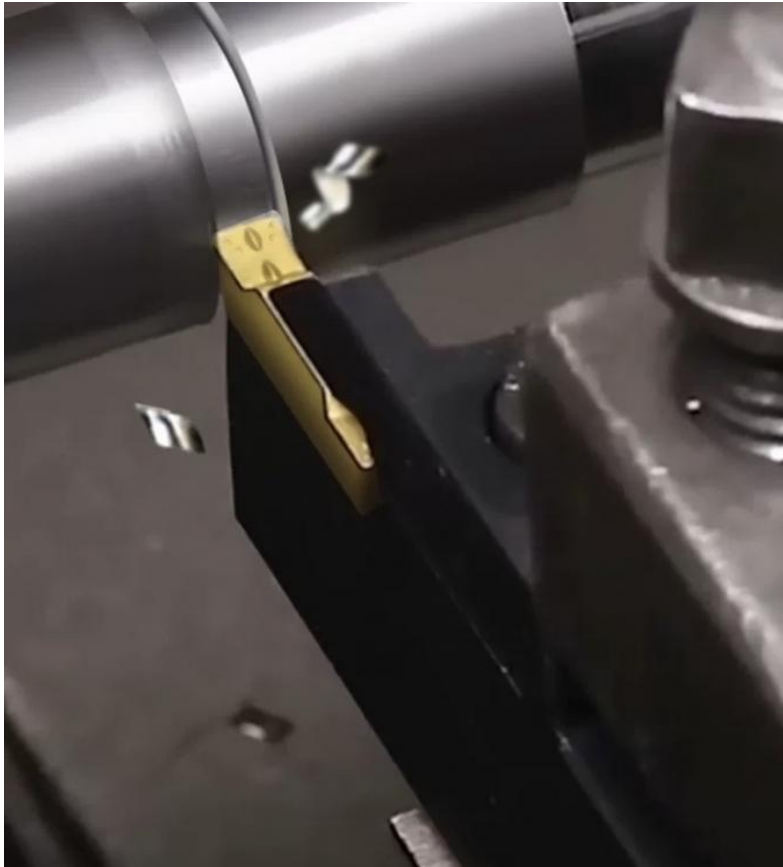
Hard alloy has a series of excellent properties such as high hardness, wear resistance, good strength and toughness, heat resistance,

Our Product

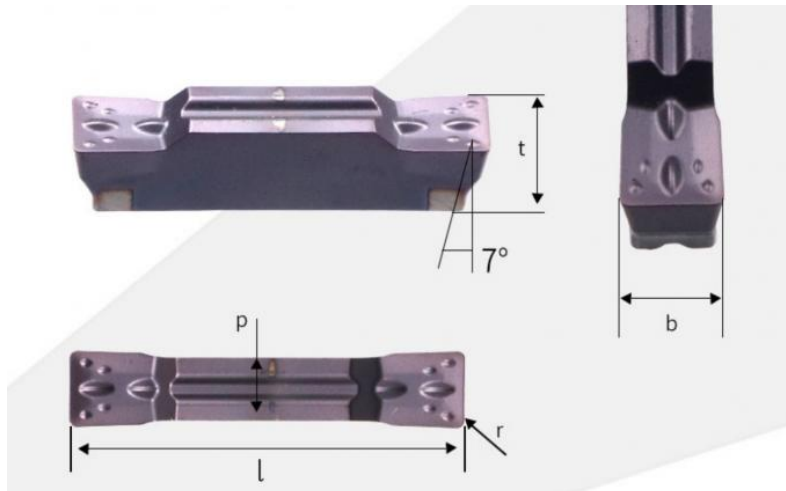
corrosion resistance, especially its high hardness and wear resistance, even at the temperature of 500°C is basically unchanged, at 1000°C still has a very high hardness.



MGMN/MGGN



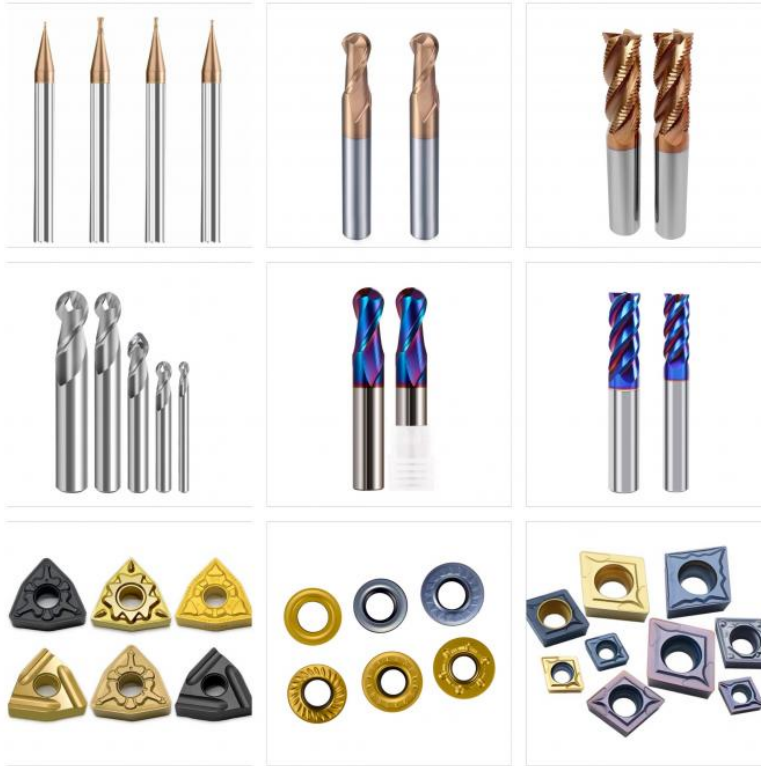
Product Parameters



应用	型号	规格尺寸 (MM)				
		b	r	l	d	t
切槽刀片	MGGN/MGMN150	1.5	0.15	16	1.2	3.5
	MGGN/MGMN200	2	0.2	16	1.6	3.5
	MGGN/MGMN250	2.5	0.2	18.5	2	3.85
	MGGN/MGMN300	3	0.4	21	2.35	4.8
	MGGN/MGMN400	4	0.4	21	3.3	4.8
	MGGN/MGMN500	5	0.8	26	4.1	5.8
	MGGN/MGMN600	6	0.8	26	5	5.8

Complete specifications and models can meet different processing forms of customers

Product display



Company Introduction

Dongguan Kunming Electronic Technology Co., Ltd. focusing on the production and sale of CNC tools. The company manages a wide range of cutting tools, which are mainly used in mold processing, automotive parts processing, IT industry, graphite processing, shipping and machinery industries. Since the establishment of the company, we have been maximizing the interests of customers as its own responsibility, and customers to maintain close cooperation and smooth communication, and on this basis, constantly optimize innovative product categories, and continue to provide partners with stable, high-quality and competitive cutting tools.

Product Contents

Standard mold tools, stainless steel tools, aluminum tools, graphite tools, micro-diameter tools, T-type Tool, tungsten steel drill, rough milling cutter, tungsten steel reamer, chamfering cutter, inner R cutter, fixed point drill, taper cutter Customized with all kinds of non-standard tools.



1. Can the price be reduced for large quantities?

Yes, bigger quantity orders are cheaper.

2. What is the lead time for mass production?

Honestly, it depends on the order quantity and the season you place your order.

3. Can you send the product to our forwarder in China?

Yes, if you have a forwarder in China, we are happy to send the product to them.

4. Can you produce special carbide tools?

Of course, we will produce according to your drawings and samples.

5. How to buy tools from you?

send us a inquiry sheet or messaget, we would arrange sale to reply you in short time.

6. What's the payment item?

We do 100% T/T in advance for small order, if you are in huge value order, we would discuss on the basis of mutual aggreement.



Dongguan Kunming Electronics Technology Co., Ltd.



+8613450663420



cutter-milling.com